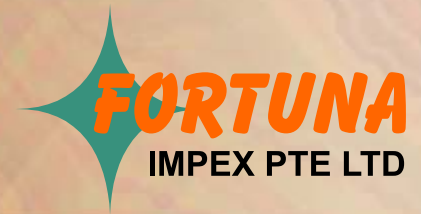




MicroTIP

Finger Print Reader/Controller



MicroTIP : Finger Print Reader/Controller

Finger-scan Identification / Verification eliminate any concerns about stolen, loaned or compromised proximity cards, the MicroTIP leverages finger scan verification & proximity card reader technology (optional) to prevent unauthorized access.

The reader matches the finger-scan of the person seeking entry, in case of only finger(1:N) mode. Alternatively it can also be used for dual authentication in Card + Finger (1:1) mode using HID Proximity Reader.

Benefits :

- ❖ Self-contained unit performs Enrollment, Identification (1:N mode), Verification (1:1 mode) and stores up to 1,900 finger templates.
- ❖ User-friendly installation with pigtail connections & mullion mount compatibility
- ❖ Industry's most accurate finger-scan algorithm (No. 1 in FVC 2004 and 2006)
- ❖ Convenient **Unifinger** software package provides user-friendly fingerprint template enrollment and administration capabilities
- ❖ Simple and quick enrollment of finger scans, less than 2 seconds
- ❖ Provides Identification Mode in only finger(1:N) mode. Alternatively provides dual-factor authentication : a Proximity card : something you have, and a biometric : something you are
- ❖ Intuitive user interface with red, amber and green LED and tone
- ❖ Built-in compatibility with industry standard HID Proximity card infrastructures (optional)

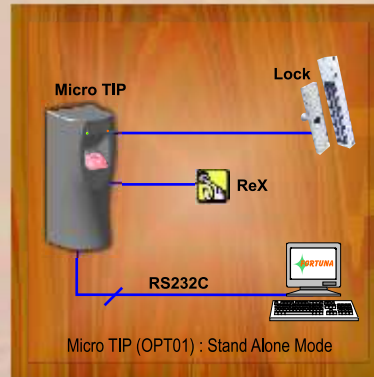
Hardware feature:

- » Optical, Scratch Proof, Biometric Finger Scan Reader
- » Built-in memory to store 1900 Finger Template data
- » Built-in RS232C Port for Finger Template Transfer
- » RS485 Interface for Multi drop network of MicroTIP for Template management
- » Built-in HID Proximity(125KHz) Card Reader(Optional) Interface for verification in 1:1 mode (Optional)
- » Built-in Multi tone Buzzer for annunciation
- » Bicolor LED for "Allowed" or "Denied" indication
- » Built-in Temper Switch
- » Single 12V DC Power Input

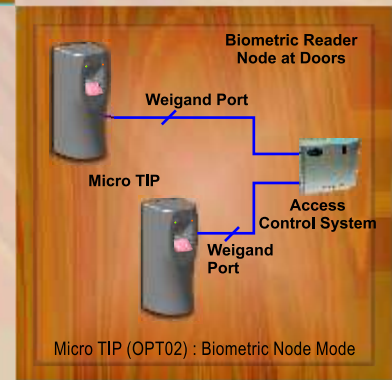
Multiple Mode of Operation :

- ✂ Relay output for Stand-alone mode for Access Control with NO/NC selection, Request-to-Exit Input for Access Control Application
- ✂ Weigand output Port for interfacing to Checkmate Series Access Control Panel
- ✂ Exit Biometric Reader for O-Zone_Bio for Access Control Application
- ✂ Reader Node with 1:1 dual authentication with HID card & Finger

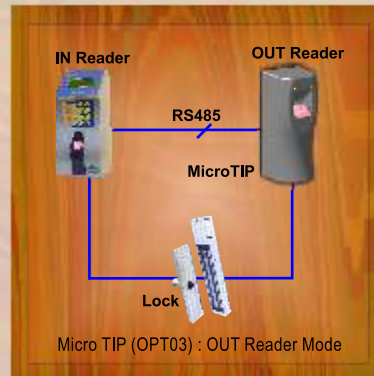
Application Area :



Model : MicroTIP(OPT 01) :
Stand-alone Access Control System in Identification Mode (1:N) Mode

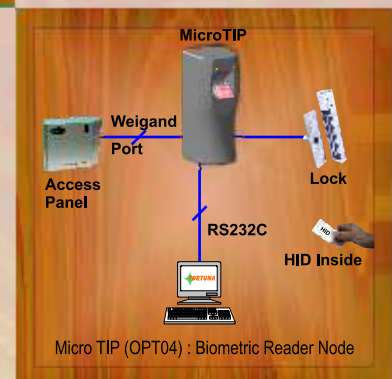


Model : MicroTIP(OPT 02) :
Used as a Bio-metric Reader Node (1:N) for Checkmate Series Access Control Panel



Model : MicroTIP(OPT 03) :
Used as Exit Biometric Reader for Gateway 2000_Tip terminal for Intelligent single door Biometric Access Control Application

Model : MicroTIP(OPT 04) :
Used as Biometric Reader Node for General purpose application requiring 1:1 verification mode based on HID Proximity Card Reader compatible Access Control Application



8, Ho Chi Minh Sarani, 12D, Harrington Mansions
Kolkata - 700 071 (India)

☎ : (91) (33) 2282 2270 Fax : (91) (33) 2282 2267

✉ : info@fortunaindia.com ; ☆ : www.fortunaindia.com